



ST NICHOLAS COLLEGE
HALF YEARLY PRIMARY EXAMINATIONS
February 2014

YEAR 5

MATHEMATICS
(Written Paper)

TIME: 1 h 15 min

Name: _____ Class: _____

Total Mark

80

1. Fill in

a.	$2.3 + 5.1 =$ <input type="text"/>
b.	$37 \times 6 =$ <input type="text"/>
c.	$6000 \text{ m} =$ <input type="text"/> km
d.	Write two and a half litres in millilitres. <input type="text"/> ml
e.	Write the number seven thousand, four hundred and fifty-five in figures. <input type="text"/>
f.	Double 480 is <input type="text"/>
g.	Round 549 to the nearest 10. <input type="text"/>
h.	Half of 2100 is <input type="text"/>
i.	Multiply 231 by 100. <input type="text"/>
j.	Underline the heaviest weight. 550g 5050g 5kg

4. Estimate and tick the correct answer.

a) the height of a chair



4m	<input type="checkbox"/>
0.9m	<input type="checkbox"/>
10cm	<input type="checkbox"/>
2m	<input type="checkbox"/>

b) the capacity of a small bottle of water



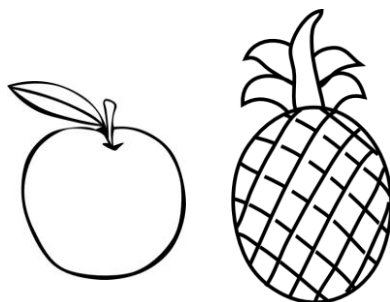
150ml	<input type="checkbox"/>
1ℓ	<input type="checkbox"/>
4ℓ	<input type="checkbox"/>
$\frac{1}{2}$ ℓ	<input type="checkbox"/>

c) the weight of a small can of beans



5g	<input type="checkbox"/>
250g	<input type="checkbox"/>
5kg	<input type="checkbox"/>
1000g	<input type="checkbox"/>

d) the weight of 10 apples and a pineapple



2750g	<input type="checkbox"/>
15kg	<input type="checkbox"/>
100g	<input type="checkbox"/>
40kg	<input type="checkbox"/>

5. Lara bought three cartons of milk. Each carton of milk contained 700 millilitres.



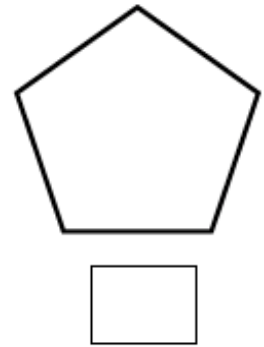
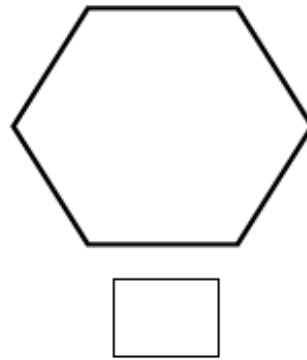
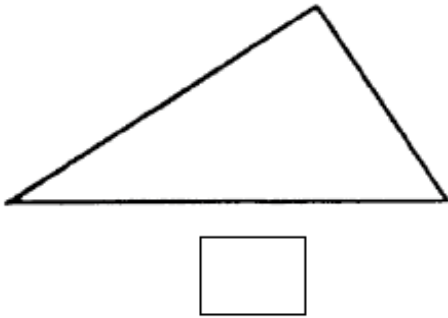
- a) What is the total amount of milk found in the three cartons?

- b) Lara's 4 children drank 250 ml each. Lara drank 310 ml. How many millilitres of milk did they drink altogether?

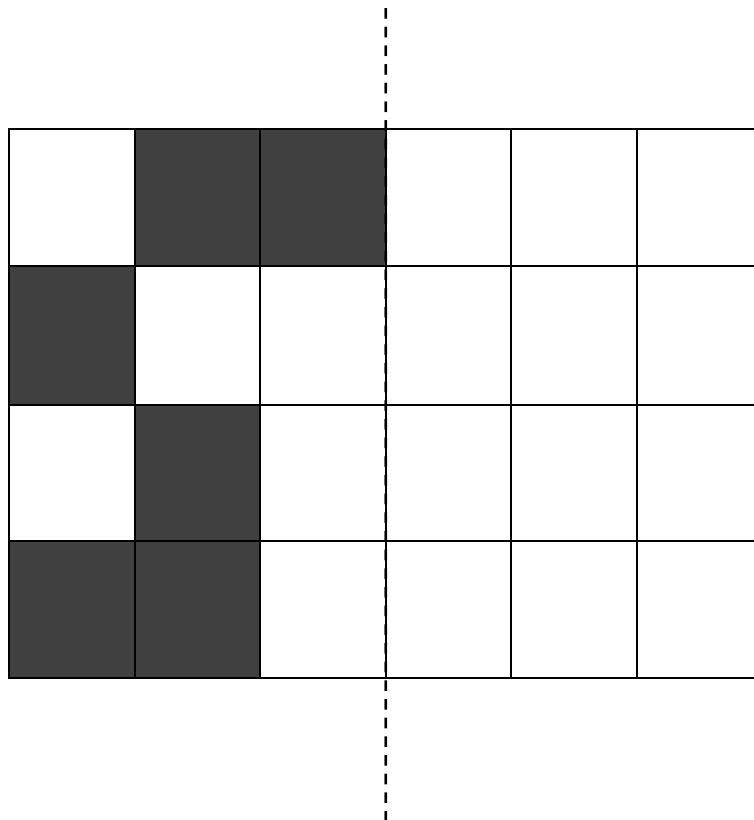
- c) How much milk was left in the cartons?

6.

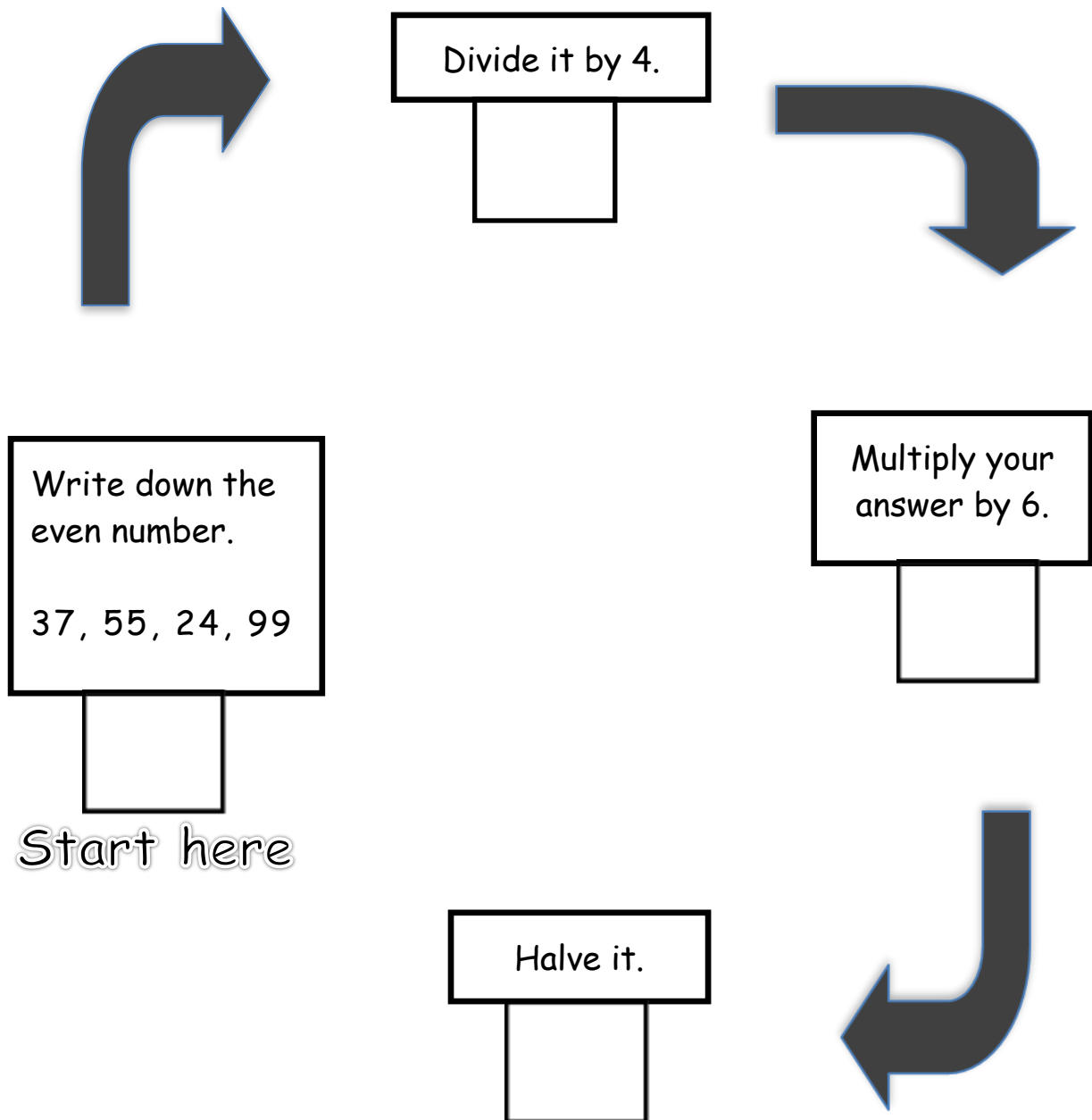
a) Put a tick under the shapes that have a line of symmetry.



b) The dotted line is a line of symmetry. Complete the shape.

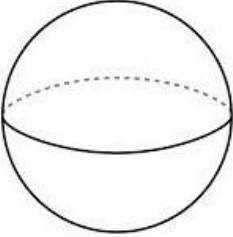
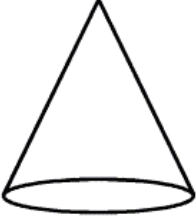
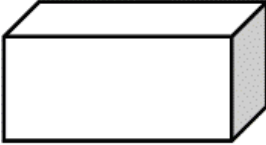
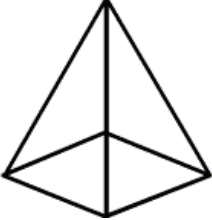


7. Fill in the empty boxes



8.

a) Write the name of these solid shapes.

			
_____	_____	_____	_____

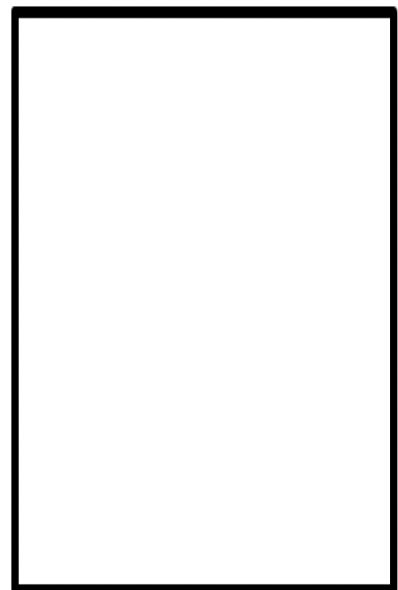
Fill in.

b) The _____ has no vertices.

c) This flat shape is called a _____.





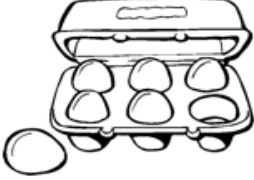
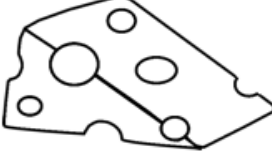
d) It has _____ sides.

e) It has _____ lines of symmetry.



9.

Christa and Jack went to buy some groceries.

Bread loaf 75c 	Milk 47c 
Yogurt 50c 	Tomatoes 85c per Kg 
Eggs €1.50 per box 	Cheese portion €1.20 

a) Jack bought 1kg tomatoes, one bread loaf and a carton of milk.
Altogether he spends

€ _____

b) Christa spends €1.70

She buys _____ and _____.

c) Christa buys 3 cartons of milk and 1 egg for her mother. She pays with a €5 note. How much change does she get?

€ _____

10. Look at the following calendar.

September 2014

Sunday	Monday	Tuesday	Wednesday	Thursday	Friday	Saturday
	1	2	3	4	5	6
7	8	9	10	11	12	13
14	15	16	17	18	19	20
21	22	23	24	25	26	27
28	29	30				

- a) The first day of September falls on a _____.
- b) Emma must go to the dentist on the 17th of September. She is to go on a (Monday, Saturday, Wednesday).
- c) There are _____ Saturdays in September 2014.
- d) School starts on the 22nd of September. How many school days are there in September? _____
- e) Mark's birthday falls on the third Friday of the month. Write the date of his birthday. _____.
-

11.

The children in Year 5 voted for their favourite sport.

- a) Complete the frequency table. The votes for volleyball were 5 less than basketball. Handball got half as many votes as football.

SPORTS	VOTES
Football	12
Volleyball	<input type="text"/>
Handball	<input type="text"/>
Tennis	10
Basketball	6

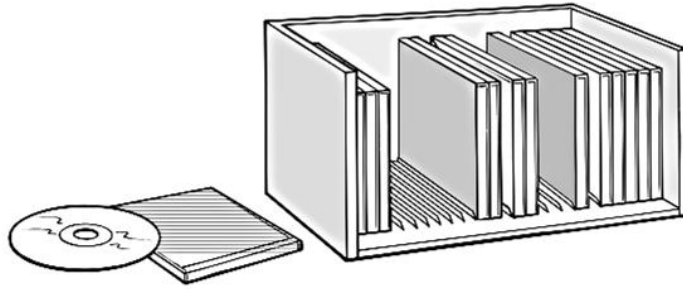
- b) How many students participated in this survey?

- c) Which is the most favourite sport? _____

- d) How many students voted for tennis and handball altogether?

- e) How many students preferred tennis to volleyball?

12. James collects CDs. He has 84 CDs in his collection.



a) He wants to store his CDs in CD racks. Each rack can hold 25 CDs.
How many racks does he need to store the CDs?

_____ racks

b) Pam has 7 full racks of CDs. How many CDs does she have
altogether?

_____ CDs

c) Frank has $\frac{3}{4}$ of the CDs that James has. How many CDs are there
in Frank's collection?

_____ CDs

13. Use the number cards below to create 3-digit numbers.

A card can be used **once in every 3-digit number** you write.



Fill in.

a) Write an even 3-digit number.

b) Write an odd 3-digit number.

c) Write the smallest possible 3-digit number.

d) Write the largest possible 3-digit number.

e) Write a 3-digit number that is a multiple of 4.

f) Write a 3-digit number that is a multiple of 7.

END OF PAPER

Marking Scheme	Nos.				
		1 a - j	10 x 2	=	20
		2 - 7	6 x 4	=	24
		8 - 13	6 x 6	=	36
					<hr/>
			TOTAL		80